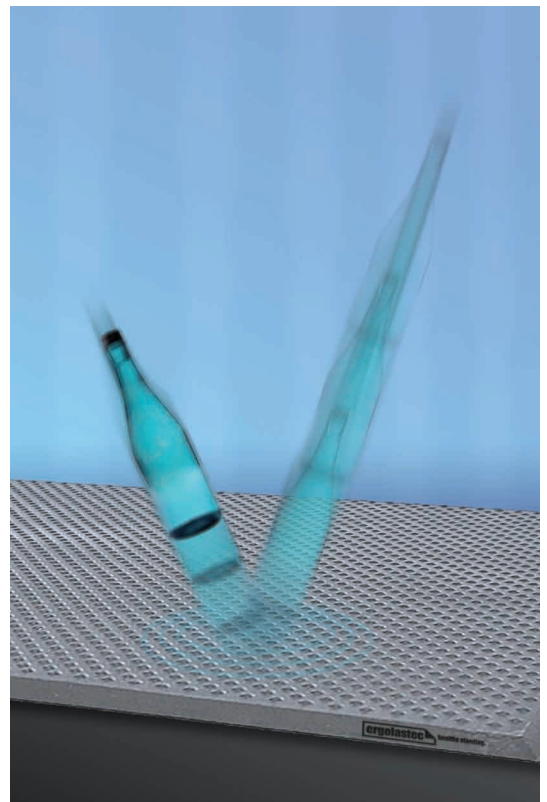


ergolastec basic

THE MULTI-PURPOSE MAT FOR ALL HIGH-FOOTFALL AREAS AND STAND-UP WORKSTATIONS



ergolastec basic

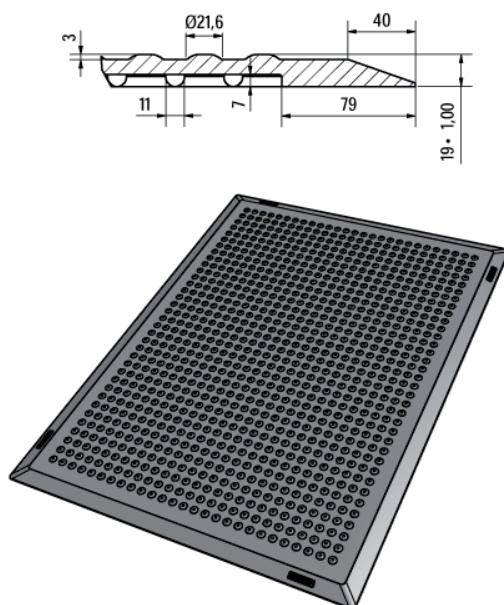
THE MULTI-PURPOSE MAT FOR ALL HIGH-FOOTFALL AREAS AND STAND-UP WORKSTATIONS

basic data	basic_wet	basic_dry
Upper surface	bubble-top	flat structure
Bottom side	dämping hemisphere	dämping hemisphere
Outer edge	20° bevelled	20° bevelled
Lenght/width/thickness	1350 x 1000 x 19 mm*	1350 x 1000 x 16 mm*
Weight	18 ± 1 kg	17,5 ± 1 kg
Hardness	58 ± 4 Shore A	58 ± 4 Shore A
Temperatur resistance	- 35°C bis + 95°C	- 35°C bis + 95°C
Interlocking designs	Typ A to K	Typ A to K
Material	Rubber SBR-based	
Colour	black, dust-grey	black, dust-grey
Tear resistance	> 4,0 MPa	> 4,0 MPa
Elaongation at break	> 200 %	> 200 %
Density	1,2 ± 0,2 g / cm ³	1,2 ± 0,2 g / cm ³
Fire protection certivikation	equivalent to Dfl	equivalent to Dfl equivalent to Dfl
Electrical conductivity	not electrically isolating, the resistance to earth cannot be identified, because of changing rawmaterials	

*Tolerances according to DIN ISO 3302-1M3

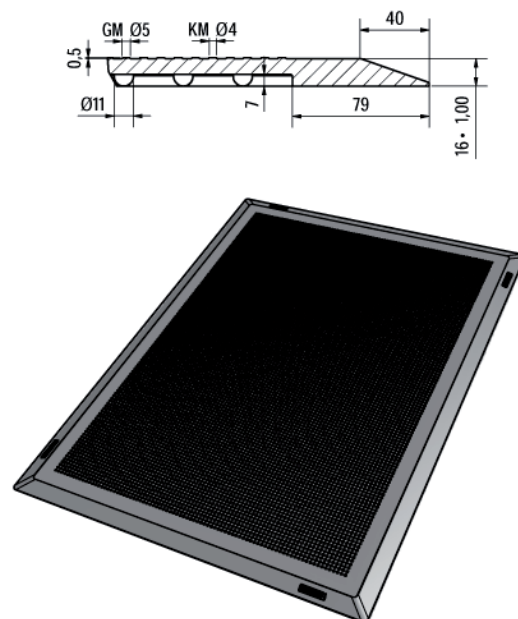
- The multi-purpose mat for all high-footfall areas and stand-up workstations which are not exposed to any specific impact or hostile influences, e.g. in front of workbenches, assembly benches, production lines, turning and milling machines, machining centres, in assembly pits, on gratings or at bar counters and cashier points
- Also available in different colours on request
- Bevelled outside edges for reduced risk of stumbling
- Very firm and sturdy making it suitable as a base when using transportation equipment
- This mat is due to the choice of high quality material comperatively odour less and therefore good applicable at indoor- areas
- Cleaning of mat and floor facilitated by simple removal of mat

ergolastec basic_wet



Mat with bubble-top for damp workstations

ergolastec basic_dry



Mat with flat structure for dry workstations